



# MECHTRIX

WIRE  
PREFEEDING  
EQUIPMENT

## MPF-33-LCS Wire Prefeeding System

### ■ APPLICATION:

The Mechtrix MPF-33-LCS Wire Prefeeding System pulls cable from rack mounted reels or other external reel stand mounted reels and it available to be fed into an automatic wire processing machine. The MPF-33-LCS is capable of handling flexible cables up to 1" (25.4mm) in diameter with a rolling flex of one quarter segment of a 7" (178mm) diameter pulley.

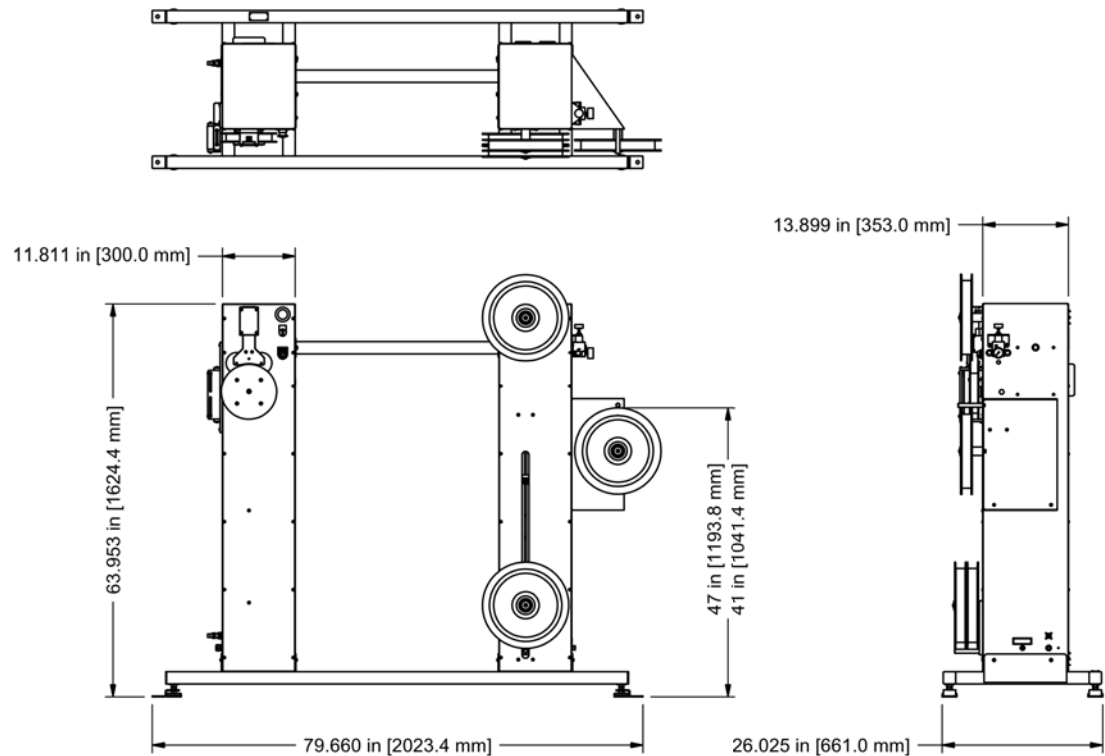


### ■ MACHINE SPECIFICATIONS:

#### MPF-33-LCS Model 30000-503

- Auto-Tune automatic speed adjustment requires no operator settings or adjustments.
- Pneumatic back-tension system that adjusts from 1.25lbs oz. to 12lbs (0.57kg to 5.4kg).
- Left-to-right cable feed path.
- Integrated wire roller guide system allows multiple wire path positions for reels located in a rack system or external reel stands.
- Electronic wire jam interface connection.
- 7.5:1 gear reducer for increased cable pulling power 49lbs (22kgs).
- Top feed speed 7.2 ft/sec (2.2m/sec).
- Draw source with upper and lower pulleys and retractable wire retainer increases the amount of cable in the draw source by 9.8' (3m) when needed.
- Adjustable output wire line height of 41" to 47" (1041mm to 1194mm)

## Mechtrix MPF-33-LCS Wire Prefeeding System



### OPTIONAL EQUIPMENT:

#### Reel Stand Model 34994-500

- Integrated reel lifting device makes loading and unloading of reels safe and fast.
- Wide top roller assembly allows the cable to traverse easily and completely as it is removed from the reel.
- Optional reel centering cones make de-reeling heavier and larger cable reels possible.

### MACHINE REQUIREMENTS:

#### Air:

2.3CFM @ 80 p.s.i.

#### Electrical:

120VAC, 10AMP, 60Hz

#### Floor Space:

2032mm wide x 660mm deep x 1625mm high  
80" wide x 26" deep x 64" high

#### Weight:

82 kg  
180 lbs