

Schäfer Megomat Tooling

“MU” Universal Stripping Blades

Used In These
Machines

Megomat
Ultima
Duo
Primo/500
Quattro
Uno/800

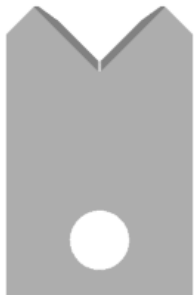
Mechtrix “MU” Universal Stripping Blades are used in Megomat ASM-3XXX, Duo, Primo/Megomat 500, Quattro and Uno/Megomat 800 Wire Processing Machines equipped with the “Ultima” programmable cutterhead. “MU” Stripping Blades are a “Universal V-type” blade and are designed to process a range of wire diameters from 0.2mm² to 6.0mm². The universal stripping form geometry and precise cutterhead motion control combine for superior cutting and gathering ability, and longer blade life.

“MU” Stripping Blades are made to precision standards from a specially selected tool steel to insure optimum performance and blade life and are produced using state-of-the-art manufacturing techniques. “MU” Stripping Blades have the Mechtrix patented feature of a cutting form which includes a perfectly formed cutting radius.



Standard “MU” Tooling Setup

No.	Part Description	Qty.	No.	Part Description	Qty.
1	MU Stripping Blade	4	5	ASM-3XXX Toolholder Pin	2
2	MUC Cut-off Blade	2	6		
3	ASM-3XXX Spacer	-	7		
4	ASM-3XXX Toolholder	2	8		



MU Stripping Blades and MUC Cut-off Blades

Mechtrix Description	Mechtrix Part Number	Blade Form Diameter		OEM Part Number
		(in)	(mm)	
MU Strip Blade w/TiN Coating	17886-CT1	-	-	6.013.0191.400
MUC Cut-off Blade w/TiN Coating	17885-CT1	-	-	6.013.0190.400
MU R0.6mm Strip Blade w/TiN Coating	24409-CT1	-	-	6.013.0192.400
MUC (DT) Cut-off Blade w/TiN Coating	24410-CT1	-	-	6.013.0196.400

A set of MU/MUC Blades consists of four (4) MU Strip Blades and two (2) MUC Cut-off Blades.

Mechtrix “MU” and “MUC” Stripping and Cut-off Blades are covered by U.S. Pat. 4,630,406



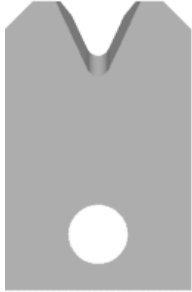
Mechtrix Corporation • W147 N9461 Held Drive • Menomonee Falls, WI 53051
Tel (262) 255-6555 • Fax (262) 255-2628 • www.mechtrix.com

Schäfer Megomat Tooling

“MUV” Series V-type Stripping Blades

Used In These
Machines

Megomat
Ultima
Duo
Primo/500
Quattro
Uno/800



In addition to the “Universal” Stripping Blades, Mechtrix also offers “MUV” Series Stripping Blades for the “Ultima” programmable cutterhead equipped machines. “MUV” Series Stripping Blades are made to precision standards from a specially selected tool steel to insure optimum performance and blade life and are produced using state-of-the-art manufacturing techniques. Please contact Mechtrix for assistance in selecting the appropriate size blade for your particular application.

MUV Stripping Blades

Mechtrix Description	Mechtrix Part Number	Blade Form Diameter		OEM Part Number
		(in)	(mm)	
MUV-0.6 Stripping Blade w/TiN Coating	20214-CT1	0.02362	0.60	6.013.0501.406
MUV-0.7 Stripping Blade w/TiN Coating	23232-CT1	0.02756	0.70	6.013.0502.407
MUV-0.8 Stripping Blade w/TiN Coating	20215-CT1	0.03150	0.80	6.013.0503.408
MUV-0.9 Stripping Blade w/TiN Coating	23255-CT1	0.03543	0.90	6.013.0504.409
MUV-1.0 Stripping Blade w/TiN Coating	20224-CT1	0.03937	1.00	6.013.0505.410
MUV-1.1 Stripping Blade w/TiN Coating	21723-CT1	0.04331	1.10	6.013.0506.411
MUV-1.2 Stripping Blade w/TiN Coating	21321-CT1	0.04724	1.20	6.013.0507.412
MUV-1.3 Stripping Blade w/TiN Coating	19868-CT1	0.05118	1.30	6.013.0508.413
MUV-1.4 Stripping Blade w/TiN Coating	21320-CT1	0.05512	1.40	6.013.0509.414
MUV-1.5 Stripping Blade w/TiN Coating	23220-CT1	0.05906	1.50	6.013.0510.415
MUV-1.6 Stripping Blade w/TiN Coating	23221-CT1	0.06299	1.60	6.013.0511.416
MUV-1.7 Stripping Blade w/TiN Coating	17820-CT1	0.06693	1.70	6.013.0512.417
MUV-1.8 Stripping Blade w/TiN Coating	23222-CT1	0.07087	1.80	6.013.0513.418
MUV-1.9 Stripping Blade w/TiN Coating	23223-CT1	0.07480	1.90	6.013.0514.419
MUV-2.0 Stripping Blade w/TiN Coating	23224-CT1	0.07874	2.00	6.013.0515.420
MUV-2.1 Stripping Blade w/TiN Coating	20988-CT1	0.08268	2.10	6.013.0516.421
MUV-2.2 Stripping Blade w/TiN Coating	20927-CT1	0.08661	2.20	6.013.0517.422
MUV-2.3 Stripping Blade w/TiN Coating	23225-CT1	0.09055	2.30	6.013.0518.423
MUV-2.4 Stripping Blade w/TiN Coating	23226-CT1	0.09449	2.40	6.013.0519.424
MUV-2.5 Stripping Blade w/TiN Coating	20928-CT1	0.09843	2.50	6.013.0520.425
MUV-2.6 Stripping Blade w/TiN Coating	21453-CT1	0.10236	2.60	6.013.0521.426
MUV-2.7 Stripping Blade w/TiN Coating	23227-CT1	0.10630	2.70	6.013.0522.427
MUV-2.8 Stripping Blade w/TiN Coating	19530-CT1	0.11024	2.80	6.013.0523.428
MUV-2.9 Stripping Blade w/TiN Coating	23228-CT1	0.11417	2.90	6.013.0524.429
MUV-3.0 Stripping Blade w/TiN Coating	19529-CT1	0.11811	3.00	6.013.0525.430
MUV-3.2 Stripping Blade w/TiN Coating	21452-CT1	0.12598	3.20	6.013.0526.432
MUV-3.4 Stripping Blade w/TiN Coating	19486-CT1	0.13386	3.40	6.013.0527.434
MUV-3.6 Stripping Blade w/TiN Coating	23229-CT1	0.14173	3.60	6.013.0528.436
MUV-3.8 Stripping Blade w/TiN Coating	19089-CT1	0.14961	3.80	6.013.0529.438
MUV-4.0 Stripping Blade w/TiN Coating	23230-CT1	0.15748	4.00	6.013.0530.440
MUV-4.2 Stripping Blade w/TiN Coating	23010-CT1	0.16535	4.20	6.013.0531.442
MUV-4.4 Stripping Blade w/TiN Coating	23011-CT1	0.17323	4.40	6.013.0532.444
MUV-4.6 Stripping Blade w/TiN Coating	23233-CT1	0.18110	4.60	6.013.0533.446
MUV-4.8 Stripping Blade w/TiN Coating	23234-CT1	0.18898	4.80	6.013.0534.448
MUV-5.0 Stripping Blade w/TiN Coating	23235-CT1	0.19685	5.00	6.013.0535.450

A set of MUV/MUC Blades consists of four (4) MUV Strip Blades and two (2) MUC Cut-off Blades.

Mechtrix “MU” and “MUC” Stripping and Cut-off Blades are covered by U.S. Pat. 4,630,406



Mechtrix Corporation • W147 N9461 Held Drive • Menomonee Falls, WI 53051
Tel (262) 255-6555 • Fax (262) 255-2628 • www.mechtrix.com

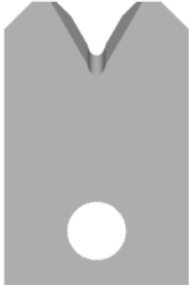
Schäfer Megomat Tooling

“MU” Full Radius Style Stripping Blades

Used In These
Machines

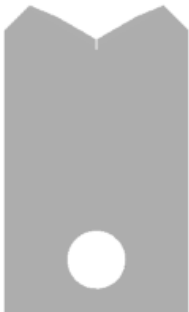
Megomat
Ultima
Duo
Primo/500
Quattro
Uno/800

Mechtrix also offers our “MU” Full Radius Series Stripping Blades for the “Ultima” programmable cutterhead equipped machines. “MU” Full Radius Blades are used when processing very difficult or very thin insulations. “MU” Full Radius Series Stripping Blades are made to precision standards from a specially selected tool steel to insure optimum performance and blade life and are produced using state-of-the-art manufacturing techniques. Please contact Mechtrix for assistance in selecting the appropriate size blade for your particular application.



“MU” Full Radius Strip Blades

Mechtrix Description	Mechtrix Part Number	Blade Form Diameter		OEM Part Number
		(in)	(mm)	
Full Radius Blades are available in 0.1mm increments in the following sizes: MU-0.25D thru MU-6.0	-	-	-	-



MUC Cut-off Blades

Mechtrix Description	Mechtrix Part Number	Blade Form Diameter		OEM Part Number
		(in)	(mm)	
MUC Cut-off Blade w/TiN Coating	17885-CT1	-	-	6.013.0190.400

A set of MU Full Radius/MUC Blades consists of four (4) MU Full Radius Strip Blades and two (2) MUC Cut-off Blades.

Mechtrix “MU” Full Radius and “MUC” Stripping and Cut-off Blades are covered by U.S. Pat. 4,630,406



Mechtrix Corporation • W147 N9461 Held Drive • Menomonee Falls, WI 53051
Tel (262) 255-6555 • Fax (262) 255-2628 • www.mechtrix.com

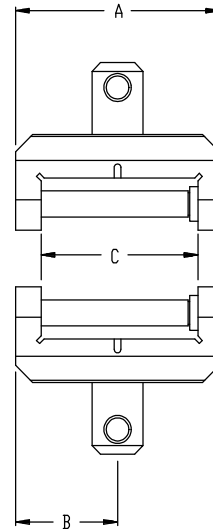
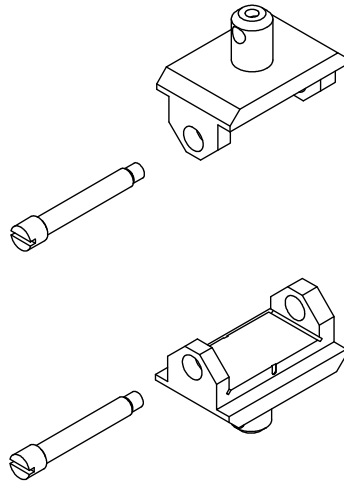
Schäfer Megomat Tooling

Toolholders for ASM-3XXX Machines

Used In These
Machines

Megomat
ASM-3XXX
Ultima
Duo
Quattro

Mechtrix also manufactures toolholders for use in the Megomat ASM-3XXX Series Wire Processing Machines. The toolholder sizes listed designate the maximum strip lengths which can be obtained using a particular size toolholder (e.g. a "10 x 10" toolholder will allow a maximum strip length of 10mm x 10mm). The Standard toolholder sizes and types are listed below. All Mechtrix Toolholders are made to exacting standards which meet or exceed those established by the OEM.



ASM-3XXX Toolholders and Replacement Parts

Mechtrix Description Megomat-USA Standard Toolholders	Mechtrix Part Number	Toolholder Dimension			OEM Part Number
		A	B	C	
Megomat-USA 15x15 Toolholder Set	09091-501	48.0mm	24.0mm	36.9mm	M.300.1779.400
					M.300.1780.400
Mechtrix Description	Mechtrix Part Number	Toolholder Dimension			OEM Part Number
A	B	C			
Megomat 15x15 Toolholder Pin	12989	-	-	-	M.040.6002.400
Megomat Toolholder Clevis	08911	-	-	-	6.040.3847.400

Schäfer Megomat Tooling

Spacers for ASM-3XXX Toolholders

Used In These
Machines

Megomat
ASM-3XXX
Ultima
Duo
Quattro



Mechtrix manufactures the complete range of Megomat ASM-3XXX Spacers. These spacers are thickness toleranced to $\pm 0.01\text{mm}$ and are flat and parallel to $\pm 0.075\text{mm}$. Mechtrix spacers are made of hardened tool steel which eliminates the development of burrs and facial flaws which affect the dimensional integrity of a spacer.

ASM-3XXX Spacers

Mechtrix Description	Mechtrix Part Number	Spacer Thickness		OEM Part Number
		(in)	(mm)	
Megomat 0.6mm Spacer	13296-01	0.0236	0.6	6 013 0350 406
Megomat 0.7mm Spacer	13296-02	0.0276	0.7	6 013 0351 407
Megomat 0.8mm Spacer	13296-03	0.0315	0.8	6 013 0352 408
Megomat 0.9mm Spacer	13296-04	0.0354	0.9	6 013 0353 409
Megomat 1.0mm Spacer	13296-05	0.0394	1.0	6 013 0354 410
Megomat 1.1mm Spacer	13296-06	0.0433	1.1	6 013 0355 411
Megomat 1.2mm Spacer	13296-07	0.0472	1.2	6 013 0356 412
Megomat 1.3mm Spacer	13296-08	0.0512	1.3	6 013 0357 413
Megomat 1.4mm Spacer	13296-09	0.0551	1.4	6 013 0358 414
Megomat 1.5mm Spacer	13296-10	0.0591	1.5	6 013 0359 415
Megomat 1.6mm Spacer	13296-11	0.0630	1.6	6 013 0360 416
Megomat 1.7mm Spacer	13296-12	0.0669	1.7	6 013 0361 417
Megomat 1.8mm Spacer	13296-13	0.0709	1.8	6 013 0362 418
Megomat 1.9mm Spacer	13296-14	0.0748	1.9	6 013 0363 419
Megomat 2.0mm Spacer	12396-15	0.0787	2.0	6 013 0364 420
Megomat 2.1mm Spacer	13296-16	0.0827	2.1	6 013 0365 421
Megomat 2.2mm Spacer	13296-17	0.0866	2.2	6 013 0366 422
Megomat 2.3mm Spacer	13296-18	0.0906	2.3	6 013 0367 423
Megomat 2.4mm Spacer	13296-19	0.0945	2.4	6 013 0368 424
Megomat 2.5mm Spacer	13296-20	0.0984	2.5	6 013 0369 425
Megomat 2.6mm Spacer	13296-21	0.1023	2.6	6 013 0370 426
Megomat 2.7mm Spacer	13296-22	0.1063	2.7	6 013 0371 427
Megomat 2.8mm Spacer	13296-23	0.1102	2.8	6 013 0372 428
Megomat 2.9mm Spacer	13296-24	0.1142	2.9	6 013 0373 429
Megomat 3.0mm Spacer	13296-25	0.1181	3.0	6 013 0374 430
Megomat 3.1mm Spacer	13296-26	0.1220	3.1	6 013 0375 431
Megomat 3.2mm Spacer	13296-27	0.1260	3.2	6 013 0376 432
Megomat 3.3mm Spacer	13296-28	0.1299	3.3	6 013 0377 433
Megomat 3.4mm Spacer	13296-29	0.1339	3.4	6 013 0378 434
Megomat 3.5mm Spacer	13296-30	0.1378	3.5	6 013 0379 435
Megomat 3.6mm Spacer	13296-31	0.1417	3.6	6 013 0380 436
Megomat 3.7mm Spacer	13296-32	0.1457	3.7	6 013 0381 437
Megomat 3.8mm Spacer	13296-33	0.1496	3.8	6 013 0382 438
Megomat 3.9mm Spacer	13296-34	0.1535	3.9	6 013 0383 439

Schäfer Megomat Tooling

Used In These
Machines

Megomat
ASM-3XXX
Ultima
Duo
Quattro



ASM-3XXX Spacers (continued)

Mechtrix Description	Mechtrix Part Number	Spacer Thickness		OEM Part Number
		(in)	(mm)	
Megomat 4.0mm Spacer	13296-35	0.1575	4.0	6 013 0384 440
Megomat 4.1mm Spacer	13296-36	0.1614	4.1	6 013 0385 441
Megomat 4.2mm Spacer	13296-37	0.1654	4.2	6 013 0386 442
Megomat 4.3mm Spacer	13296-38	0.1693	4.3	6 013 0387 443
Megomat 4.4mm Spacer	13296-39	0.1732	4.4	6 013 0388 444
Megomat 4.5mm Spacer	13296-40	0.1772	4.6	6 013 0389 445
Megomat 4.6mm Spacer	13296-41	0.1811	4.6	6 013 0390 446
Megomat 4.7mm Spacer	13296-42	0.1850	4.7	6 013 0391 447
Megomat 4.8mm Spacer	13296-43	0.1890	4.8	6 013 0392 448
Megomat 4.9mm Spacer	13296-44	0.1929	4.9	6 013 0393 449
Megomat 5.0mm Spacer	13296-45	0.1969	5.0	6 013 0394 450
Megomat 6.0mm Spacer	13296-46	0.2362	6.0	6 013 0395 460
Megomat 7.0mm Spacer	13296-47	0.2756	7.0	6 013 0396 470
Megomat 8.0mm Spacer	13296-48	0.3150	8.0	6 013 0397 480
Megomat 9.0mm Spacer	13296-49	0.3543	9.0	6 013 0398 490
Megomat 10.0mm Spacer	13296-50	0.3937	10.0	6 013 0399 400
Megomat 5.6mm Spacer	13296-51	0.2205	5.6	-
Megomat 10.4mm Spacer	13296-52	0.4094	10.4	-